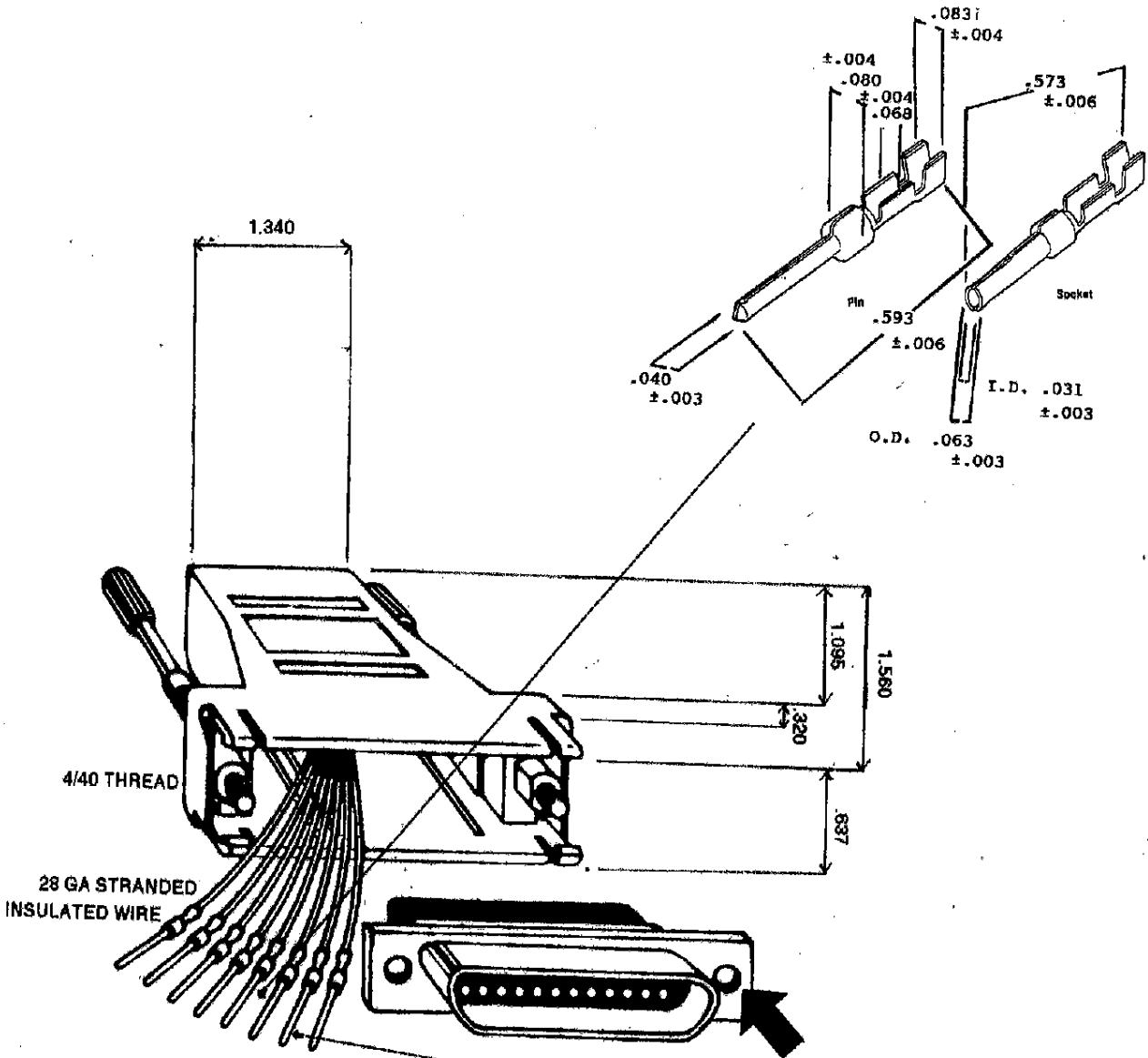


REVISIONS

ZONE	LTR	DESCRIPTION	DATE	APPROVED



- Shell: Steel-Zinc Plated
- Pin Contact: Brass-Gold plated over nickel
- Insulator: PBT + 30% fibre glass (UL 94V-0)
- Current Rating: 5 AMP
- Dielectric Strength: 1000V for one minute
- Insulator Resistance: 1000 min. OHMS at 500v DC
- Temperature: -55°C to 105°C

UNLESS OTHERWISE SPECIFIED
 ALL DIMENSIONS ARE IN INCHES
 TOLERANCES
 FRACTIONS ± ANGLES ±
 3 PLACE DECIMALS ±
 2 PLACE DECIMALS ±
 DIM. TOL. & SURFACE ROUGHNESS
 APPLY FINISH

ATM. ELECTRONICS CORP.

40-9588M/F

PREPARED

APPROVED

SIZE A		
SCALE		SHEET

